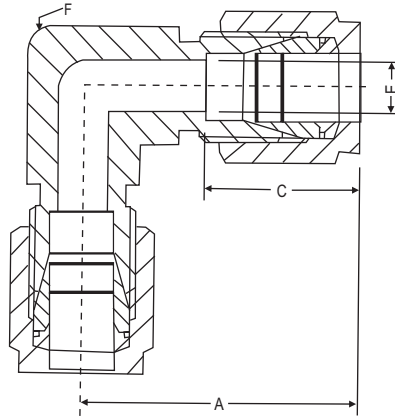



Dimensional Details :

Notes : Drawings are not to scale

Dimensional Details
Dimension, in.

Tube OD	Part Number	A	C	E	F
1/8	S2EU2	0.88	0.50	0.09	3/8
1/4	S4EU4	1.06	0.60	0.19	1/2
3/8	S6EU6	1.20	0.66	0.28	5/8
1/2	S8EU8	1.42	0.90	0.41	13/16
5/8	S10EU10	1.50	0.96	0.50	15/16
3/4	S12EU12	1.57	0.96	0.62	1 1/16
7/8	S14EU14	1.76	1.02	0.72	1 3/8
1	S16EU16	1.93	1.23	0.88	1 3/8

Dimension, mm.

Tube OD	Part Number	A	C	E	F
6	SM6EU	27.0	15.3	4.8	1/2
8	SM6EU	28.8	16.2	6.4	9/16
10	SM10EU	31.5	17.2	7.9	11/16
12	SM12EU	36.0	22.8	9.5	13/16
16	SM16EU	38.0	24.4	12.7	15/16
18	SM18EU	39.8	24.4	15.1	1 1/16
20	SM20EU	44.6	26.0	15.9	1 3/8
25	SM25EU	49.1	31.3	21.8	1 3/8

Dimensions and specifications shown are approximate, may vary from time to time.

Note : A and C dimensions are typical finger-tight